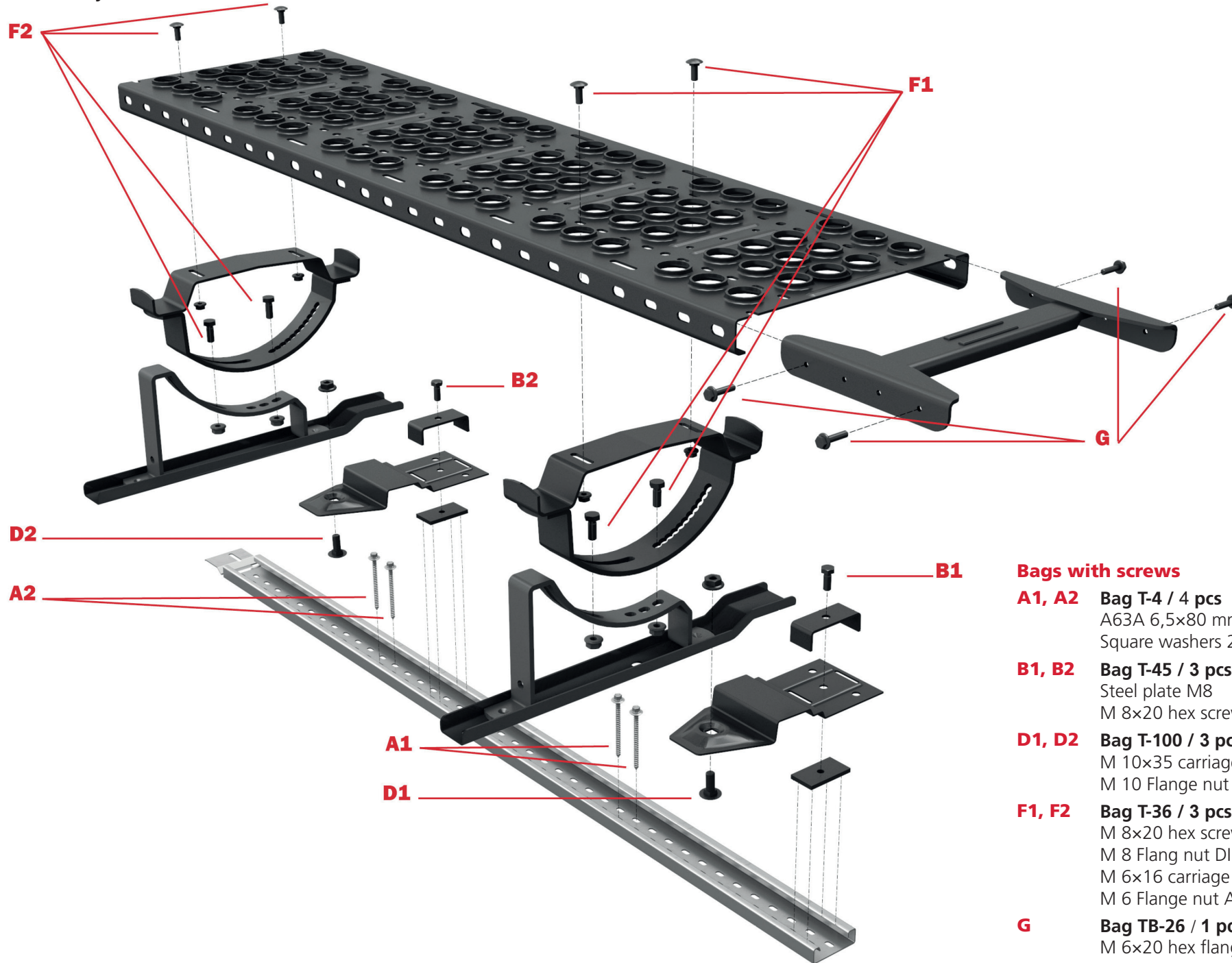


Walkway 2 m / Laufrostanlage 2 m / Plattform Takbro 2 m

Assembly instruction



Bags with screws

- | | | |
|---------------|--|--|
| A1, A2 | Bag T-4 / 4 pcs
A63A 6,5x80 mm stainless screw
Square washers 20x25x5 mm, steel | - 2 pcs
- 4 pcs |
| B1, B2 | Bag T-45 / 3 pcs
Steel plate M8
M 8x20 hex screw DIN933 A2 | - 1 pcs
- 1 pcs |
| D1, D2 | Bag T-100 / 3 pcs
M 10x35 carriage bolt DIN603 A2
M 10 Flange nut DIN 6923 A2 serr | - 1 pcs
- 1 pcs |
| F1, F2 | Bag T-36 / 3 pcs
M 8x20 hex screw DIN933 A2
M 8 Flang nut DIN6923 A2 serr
M 6x16 carriage bolt DIN603 A2
M 6 Flange nut A2 DIN6923 serr | - 2 pcs
- 2 pcs
- 2 pcs
- 2 pcs |
| G | Bag TB-26 / 1 pcs
M 6x20 hex flange screw DIN6921 A2 | - 4 pcs |