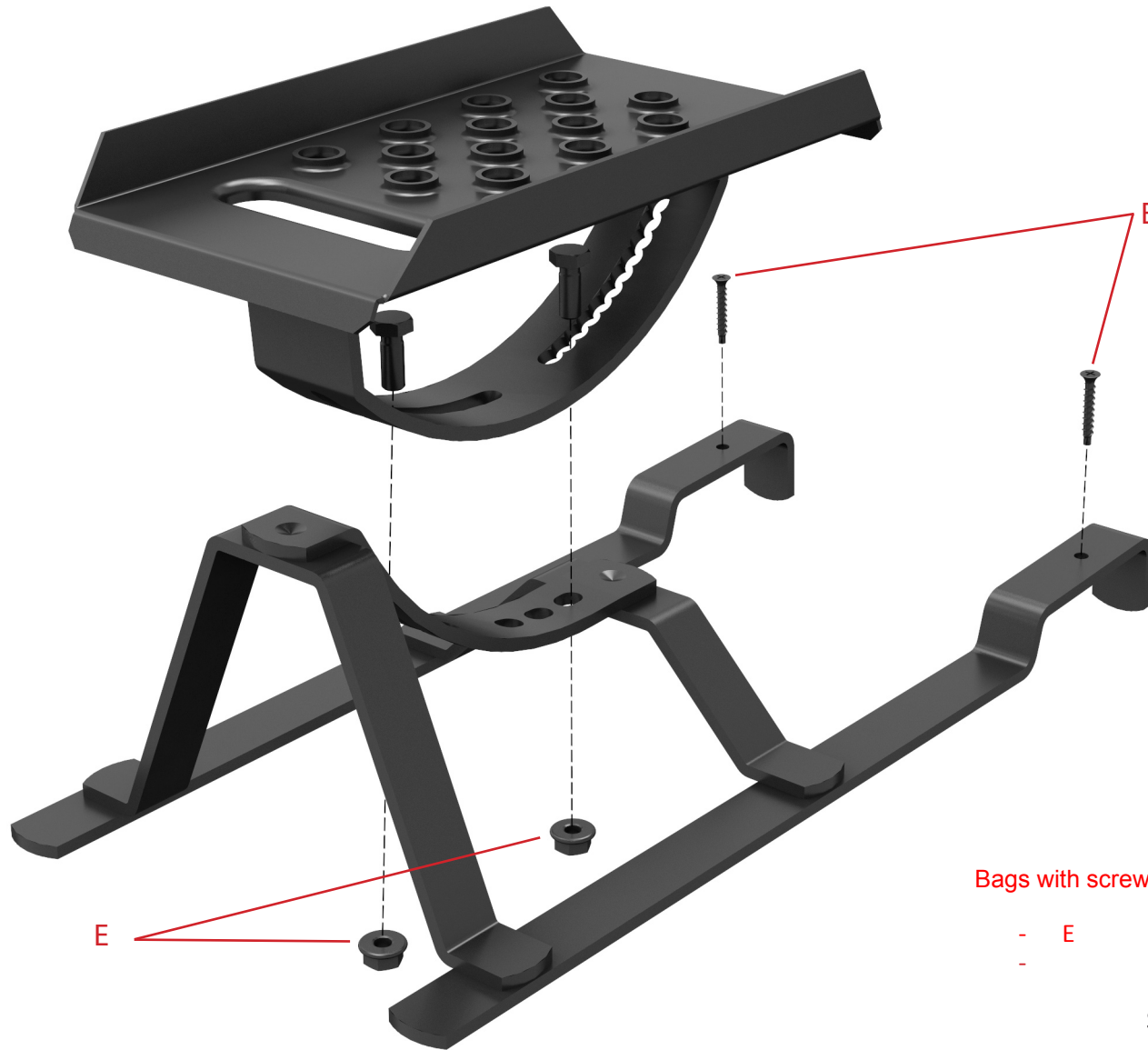
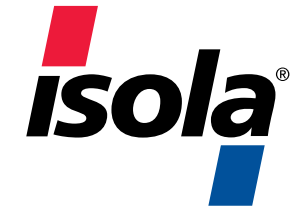


Roof step / Einzeltritt

Assembly instruction



Bags with screws

- | | | |
|-----|------------------------------|---------|
| - E | Bag T-83 / 1 pcs | - 2 pcs |
| - | M 8x20 hexscrew DIN933 A2 | - 2 pcs |
| | M8 Flangnut DIN6923 A2 serr. | - 2 pcs |
| | Screw A93 4,8x32 Ph2 C4 | - 2 pcs |
| | Neoprenegasket 3x25x25 mm | - 2 pcs |