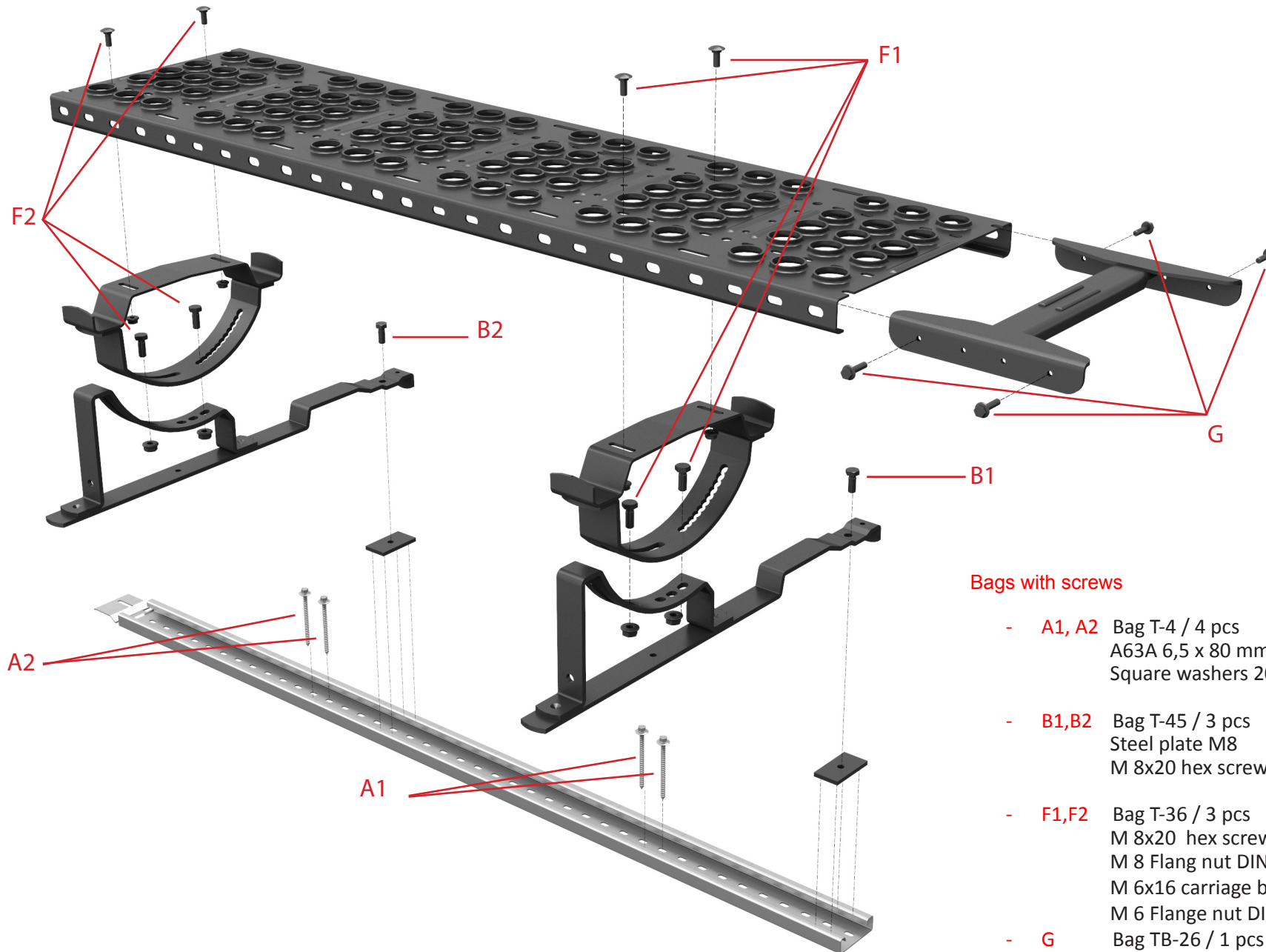
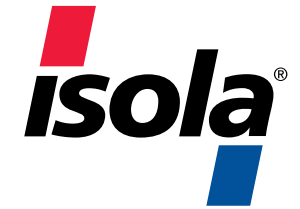


# Walkway 2m / Laufrostanlage 2m / Plattform Takbro 2m

## Assembly instruction



### Bags with screws

- **A1, A2** Bag T-4 / 4 pcs  
A63A 6,5 x 80 mm stainless screw - 2 pcs  
Square washers 20x25x5 mm, steel - 4 pcs
- **B1,B2** Bag T-45 / 3 pcs  
Steel plate M8 - 1 pcs  
M 8x20 hex screw DIN933 A2 - 1 pcs
- **F1,F2** Bag T-36 / 3 pcs  
M 8x20 hex screw DIN933 A2 - 2 pcs  
M 8 Flang nut DIN6923 A2 serr - 2 pcs  
M 6x16 carriage bolt DIN603 A2 - 2 pcs  
M 6 Flange nut DIN6923 A2 serr - 2 pcs
- **G** Bag TB-26 / 1 pcs  
M 6x20 hex flange screw DIN6921 A2- 4 pcs